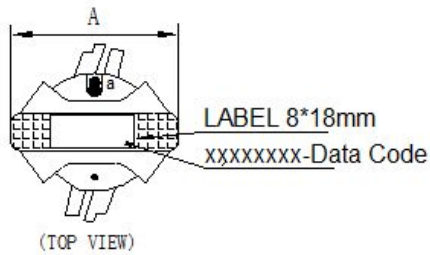
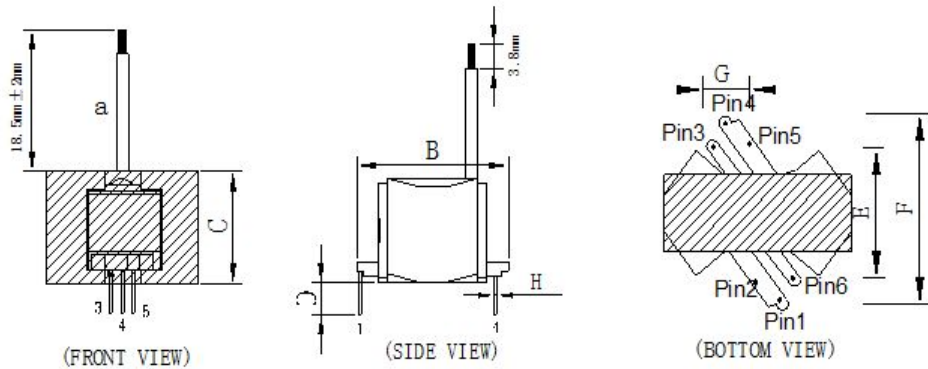


CUSTOMER TERMINAL	ROHS	Lead(Pb)-free
	YES	YES

1.Mechanical Dimensions

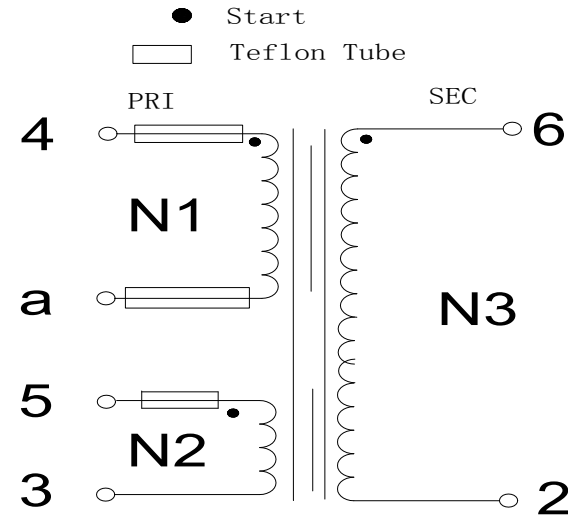


A	16.0	MAX
B	15.0	MAX
C	11.0	MAX
D	3.8	±0.5
E	10.8	±0.5
F	14.4	±0.5
G	3.6	±0.5
H	0.5	±0.1

3.Material List

Core:FW44 RM5
 Bobbin:FWB0501(3+3PIN)
 Wire:2UEW
 Copper foil:0.025t*5.0mm
 Operating Temperature: -30 to115 °C

2.Schematic Diagram



4.Electrical Specification

Inductance : $L(4-a):5mH \pm 5\%$ 100KHZ , 1.0V
 Leakage inductance : 100uHMAX 100KHZ , 1.0V
 DCR : $(4-A)=2.0\Omega$ MAX
 Hi-Pot:P-S: AC 60Hz 1000V 1mA 3S
 S-CORE: AC 60Hz 1000V 1mA 3S

REV.	DATE	 Convention Placement	DRW.	Drawing Title:	Part No:		
0	00/00		CHK.			TRANSFORMER	FWPTRM5V502J
			APP.			Customer P/N	Specification Sheet 1of 1

ROHS

www.ferriwo.com